



Comfortable heating. With wood!

# HDG Technical Advice Document

13

Fuel Type  
Log

Date of Issue  
September  
2008

Edition  
1

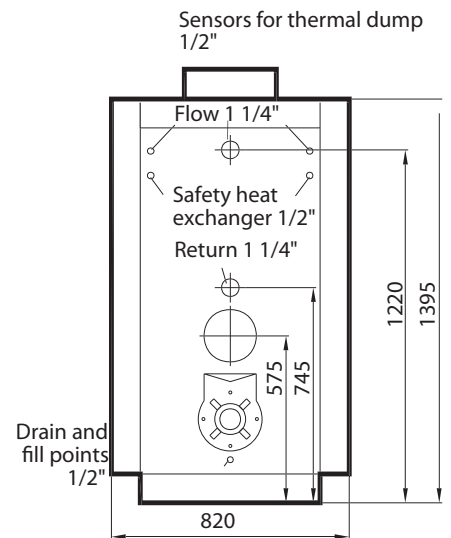
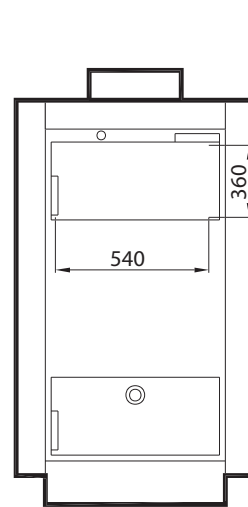
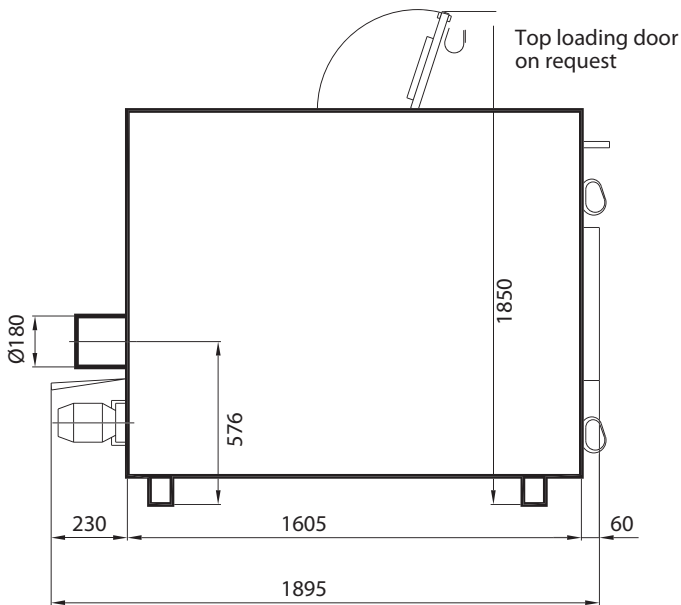
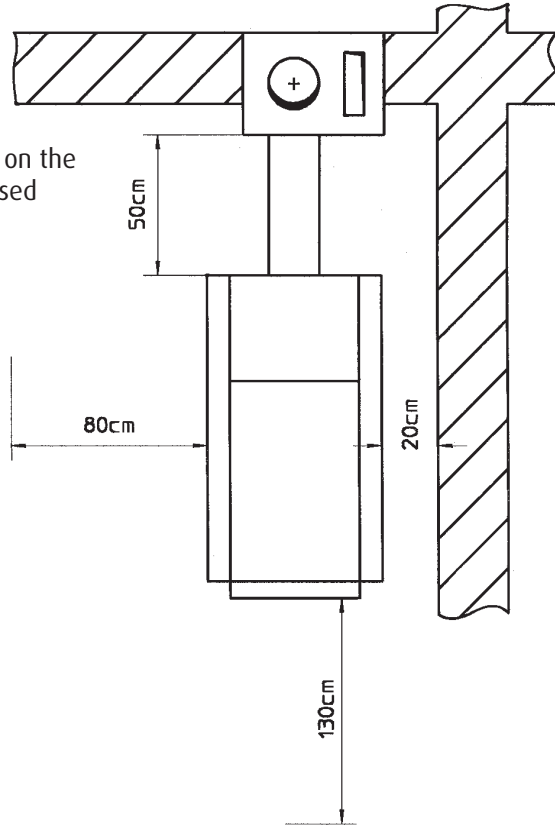


Natural Energy Company

Page Number 1

## HDG Turbotec Installation Clearances

Distance at the rear depends on the flue type and configuration used



Minimum dimensions without housing for installation access: 1630 x 690 mm